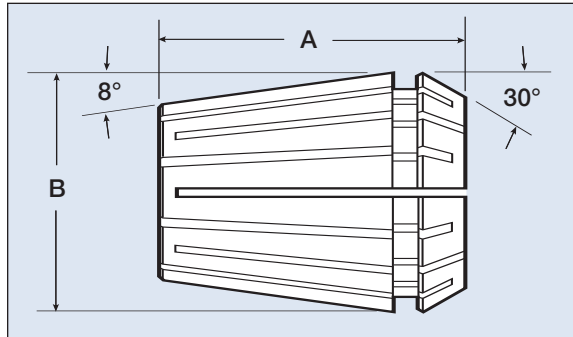




ER Collets

ER-11, ER-16, ER-20 & ER-25



Dimensions

Part No.	A	B
ER11-F-537	.71"	.45"
ER16-H-631	1.06"	.67"
ER20-H-702	1.22"	.81"
ER25-D-617	1.38"	1.02"

ER-11		
Size	Range	Order No.
1/32"	.020" - .040"	ER11-F-537-1/32
3/64"	.030" - .070"	ER11-F-537-3/64
1/16"	.040" - .080"	ER11-F-537-1/16
5/64"	.060" - .100"	ER11-F-537-5/64
3/32"	.080" - .120"	ER11-F-537-3/32
7/64"	.100" - .140"	ER11-F-537-7/64
1/8"	.120" - .160"	ER11-F-537-1/8
9/64"	.130" - .170"	ER11-F-537-9/64
5/32"	.140" - .175"	ER11-F-537-5/32
11/64"	.150" - .190"	ER11-F-537-11/64
3/16"	.160" - .200"	ER11-F-537-3/16
13/64"	.180" - .220"	ER11-F-537-13/64
7/32"	.200" - .236"	ER11-F-537-7/32
15/64"	.220" - .260"	ER11-F-537-15/64
1/4"	.236" - .275"	ER11-F-537-1/4

ER-16		
Size	Range	Order No.
1/32"	.020" - .040"	ER16-H-631-1/32
1/16"	.040" - .080"	ER16-H-631-1/16
3/32"	.080" - .120"	ER16-H-631-3/32
1/8"	.120" - .160"	ER16-H-631-1/8
3/16"	.160" - .200"	ER16-H-631-3/16
7/32"	.200" - .236"	ER16-H-631-7/32
1/4"	.236" - .275"	ER16-H-631-1/4
5/16"	.275" - .315"	ER16-H-631-5/16
11/32"	.315" - .354"	ER16-H-631-11/32
3/8"	.354" - .393"	ER16-F-537-3/8

ER-20		
Size	Range	Order No.
1/16"	.040" - .080"	ER20-H-207-1/16
3/32"	.080" - .120"	ER20-H-207-3/32
1/8"	.120" - .160"	ER20-H-207-1/8
3/16"	.160" - .200"	ER20-H-207-3/16
7/32"	.200" - .236"	ER20-H-207-7/32
1/4"	.236" - .275"	ER20-H-207-1/4
5/16"	.275" - .315"	ER20-H-207-5/16
11/32"	.315" - .354"	ER20-H-207-11/32
3/8"	.354" - .393"	ER20-H-207-3/8
13/32"	.393" - .433"	ER20-H-207-13/32
7/16"	.433" - .472"	ER20-H-207-7/16
1/2"	.472" - .511"	ER20-H-207-1/2

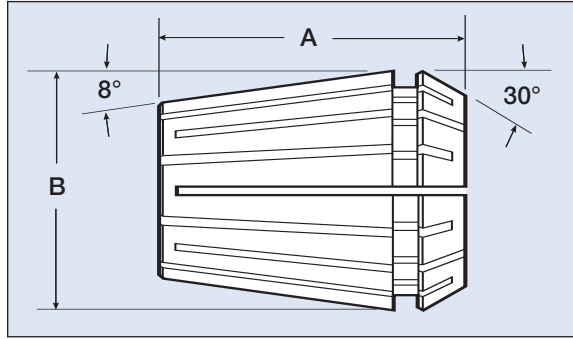
ER-25		
Size	Range	Order No.
1/16"	.040" - .080"	ER25-D-617-1/16
3/32"	.080" - .120"	ER25-D-617-3/32
1/8"	.120" - .160"	ER25-D-617-1/8
3/16"	.160" - .200"	ER25-D-617-3/16
7/32"	.200" - .236"	ER25-D-617-7/32
1/4"	.236" - .275"	ER25-D-617-1/4
5/16"	.275" - .315"	ER25-D-617-5/16
11/32"	.315" - .354"	ER25-D-617-11/32
3/8"	.354" - .393"	ER25-D-617-3/8
13/32"	.393" - .433"	ER25-D-617-13/32
7/16"	.433" - .472"	ER25-D-617-7/16
1/2"	.472" - .511"	ER25-D-617-1/2
17/32"	.511" - .551"	ER25-D-617-17/32
9/16"	.551" - .590"	ER25-D-617-9/16

See page 35 for Accuracy Chart



ER Collets

ER-32, ER-40 & ER-set



Dimensions

Part No.	A	B
ER32-D-98	1.57"	1.30"
ER40-F-589	1.81"	1.61"

Size	ER-32 Range	Order No.
3/32"	.080" - .120"	ER32-D-98-3/32
1/8"	.120" - .160"	ER32-D-98-1/8
3/16"	.160" - .200"	ER32-D-98-3/16
7/32"	.200" - .236"	ER32-D-98-7/32
1/4"	.236" - .275"	ER32-D-98-1/4
5/16"	.275" - .315"	ER32-D-98-5/16
11/32"	.315" - .354"	ER32-D-98-11/32
3/8"	.354" - .393"	ER32-D-98-3/8
13/32"	.393" - .433"	ER32-D-98-13/32
7/16"	.433" - .472"	ER32-D-98-7/16
1/2"	.472" - .511"	ER32-D-98-1/2
17/32"	.511" - .551"	ER32-D-98-17/32
9/16"	.551" - .590"	ER32-D-98-9/16
5/8"	.590" - .629"	ER32-D-98-5/8
21/32"	.629" - .669"	ER32-D-98-21/32
11/16"	.669" - .708"	ER32-D-98-11/16
3/4"	.708" - .748"	ER32-D-98-3/4
25/32"	.748" - .787"	ER32-D-98-25/32

Size	ER-40 Range	Order No.
1/8"	.120" - .160"	ER40-F-589-1/8
3/16"	.160" - .200"	ER40-F-589-3/16
7/32"	.200" - .236"	ER40-F-589-7/32
1/4"	.236" - .275"	ER40-F-589-1/4
5/16"	.275" - .315"	ER40-F-589-5/16
11/32"	.315" - .354"	ER40-F-589-11/32
3/8"	.354" - .393"	ER40-F-589-3/8
13/32"	.393" - .433"	ER40-F-589-13/32
7/16"	.433" - .472"	ER40-F-589-7/16
1/2"	.472" - .511"	ER40-F-589-1/2
17/32"	.511" - .551"	ER40-F-589-17/32
9/16"	.551" - .590"	ER40-F-589-9/16
5/8"	.590" - .629"	ER40-F-589-5/8
21/32"	.629" - .669"	ER40-F-589-21/32
11/16"	.669" - .708"	ER40-F-589-11/16
3/4"	.708" - .748"	ER40-F-589-3/4
25/32"	.748" - .787"	ER40-F-589-25/32
13/16"	.787" - .826"	ER40-F-589-13/16
27/32"	.826" - .866"	ER40-F-589-27/32
7/8"	.866" - .905"	ER40-F-589-7/8
15/16"	.905" - .944"	ER40-F-589-15/16
31/32"	.944" - .984"	ER40-F-589-31/32
1"	.984" - 1.02"	ER40-F-589-1

See page 35 for Accuracy Chart

ER Collet Sets



Part No.	No. Pieces	Range
ER11-F-537	15	1/32"-1/4"
ER16-H-631	10	1/32"-3/8"
ER20-H-702	12	1/16"-1/2"
ER25-D-617	14	1/16"-9/16"
ER32-D-98	18	3/32"-3/4"
ER40-F-589	23	1/8"-1"