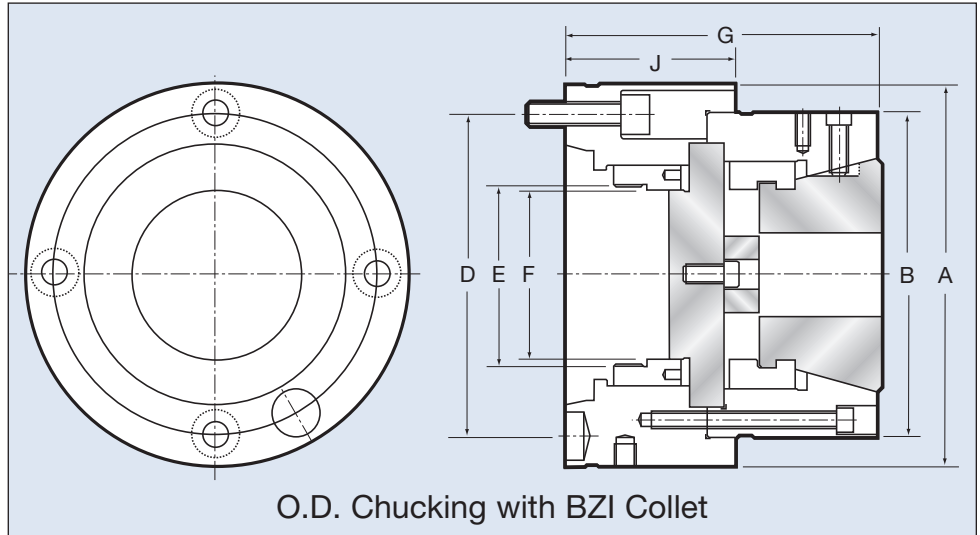




Atlas Workholding JPCA Collet Chuck with Axial Stop

High Precision BZI Type Collet with 0.010mm/0004" Repeatability

- ⊗ Precision pull-back collet chuck: 0.010mm/.0004" repeatability
- ⊗ Fast collet changing design: less than 30 seconds
- ⊗ BZI type precision rubber collet clamping head
- ⊗ Large clamping force, large clamping stroke, $\pm 0.5\text{mm}/.002''$



Order Number	JPCA-42A5	JPCA-42A6	JPCA-65A6	JPCA-65A8
A (mm/in)	140/5.51	165/6.50	165/6.50	210/8.27
B (mm/in)	125/4.92	125/4.92	145/5.70	145/5.70
D (mm/in)	104.8/4.13	133.4/5.25	133.4/5.25	171.4/6.75
E	M66 x P15	M66 x P15	M78 x P15	M78 x P15
F (mm/in)	42/1.61	42/1.61	65/2.56	65/2.56
G (mm/in)	120/4.72	120/4.72	130/5.12	130/5.12
J (mm/in)	70/2.76	70/2.76	72/2.83	72/2.83
Mount Screw	M10 x 4	M12 x 4	M12 x 4	M16 x 4
Working Collet	42BZI	42BZI	65BZI	65BZI
Draw Bar Stroke	4.5mm/0.18"	4.5mm/0.18"	4.5mm/0.18"	4.5mm/0.18"
Collet Opening/Closing Range	$\pm 0.5\text{mm}/0.02''$	$\pm 0.5\text{mm}/0.02''$	$\pm 0.5\text{mm}/0.02''$	$\pm 0.5\text{mm}/0.02''$
Chuck Thru-Hole	42mm/1.65"	42mm/1.65"	65mm/2.65"	65mm/2.65"
Allowable Draw Bar Force	2680kgf/5896lbf	2680kgf/5896lbf	3440kgf/7568lbf	3440kgf/7568lbf
Max. Clamping Force	6120kgf/13460lbf	6120kgf/13460lbf	8030kgf/17670lbf	8030kgf/17670lbf
Max rpm	6500	6500	5500	5500
Net Weight	7.4kgs/16.3lbs	8.8kgs/19.4lbs	15.4kgs/34lbs	20.4kgs/45lbs

JPCA Collet Chucks in flat back are available upon request