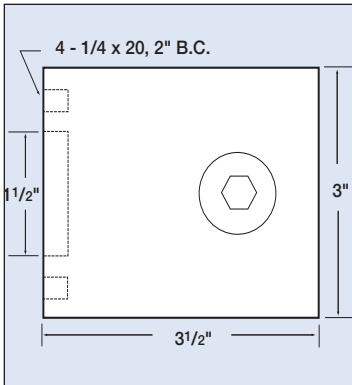

Quick Change Manual

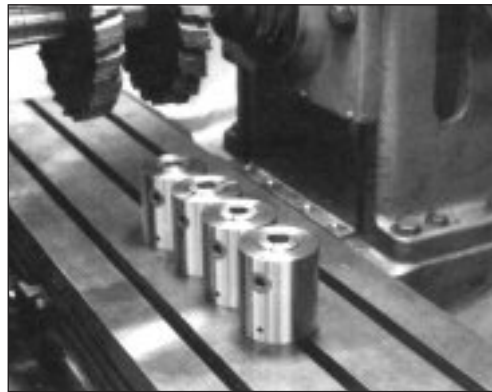
5C Collet Chucks (Model No. COL5C)



- ⚙️ One-year warranty
- ⚙️ Quickly change from chuck work to collet work
- ⚙️ Hold the collet chuck O. D. in your power or manual chucks
- ⚙️ Mount in vertical mills, horizontal mills and machining centers
- ⚙️ Drilled and tapped for fixture mounting
- ⚙️ Dead length
- ⚙️ Hardened and ground
- ⚙️ No set-up
- ⚙️ Hex key included



Ideal for short run production on CNC lathes. No tear down or change over



Stack units for multiple part production